

Product Overview: Ergonomic, well designed wash basin for wheelchair user.

- Features:**
- Ergonomically designed for wheelchair, walking frame or perching stool users
 - A choice of full or semi pedestal
 - Single tap hole modern design

- Benefits:**
- Concaved front to allow closer access to basin and taps
 - Includes waste trap
 - A choice pedestal or semi pedestal options available
 - Easy installation

Product Specification:

- 600mm (w) x 420mm (d)
- Made from vitreous china



Concave Wash Basin with Semi Pedestal and Monobloc Mixer Tap

Guarantee & Certification:



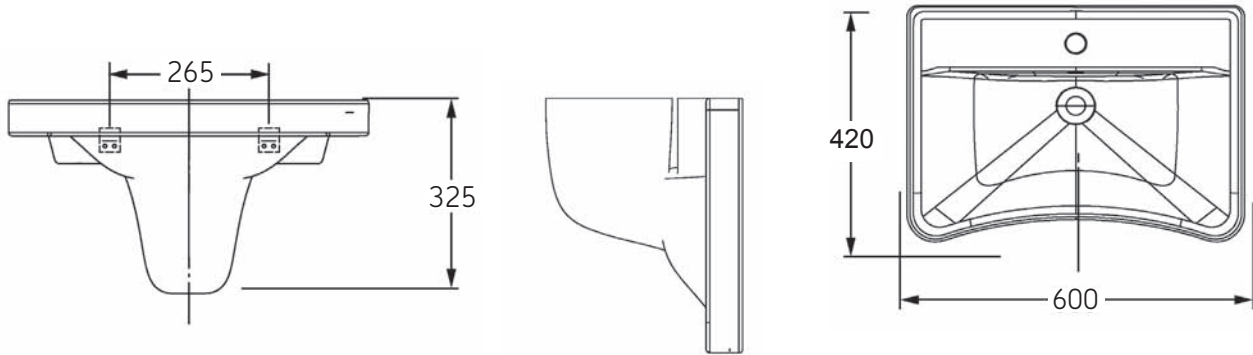
Product Codes:

Codes	Description
23115	AKW Concave Wash Basin with Semi Pedestal
23115-FP	AKW Concave Wash Basin Full Height Pedestal

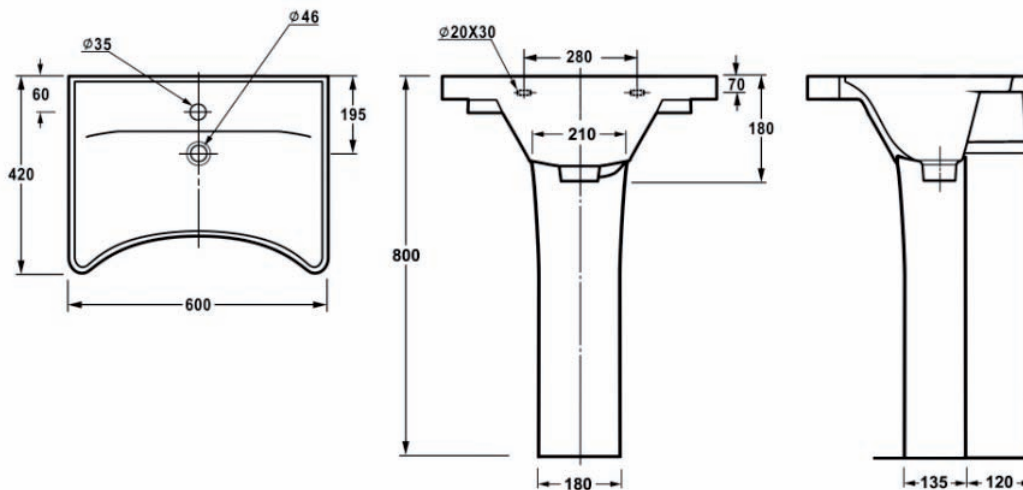
* The lifetime warranty excludes normal wear and tear in general domestic applications. It applies only to products being installed for the first time and according to relevant local and national regulations.

Dimensions:

AKW Concave Wash Basin with Semi Pedestal



AKW Concave Wash Basin Full Height Pedestal



N.B Dimensions in Millimetres (mm)